

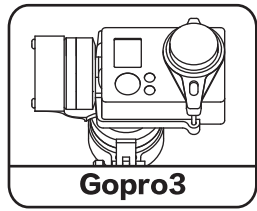


# G3 Steadycam Installation Instructions

## G3云台手持件安装说明书

Applicable to the firmware V1.25 and above version 适用于V1.25及以上版本固件

### 产品安装图 Product Installation Diagram

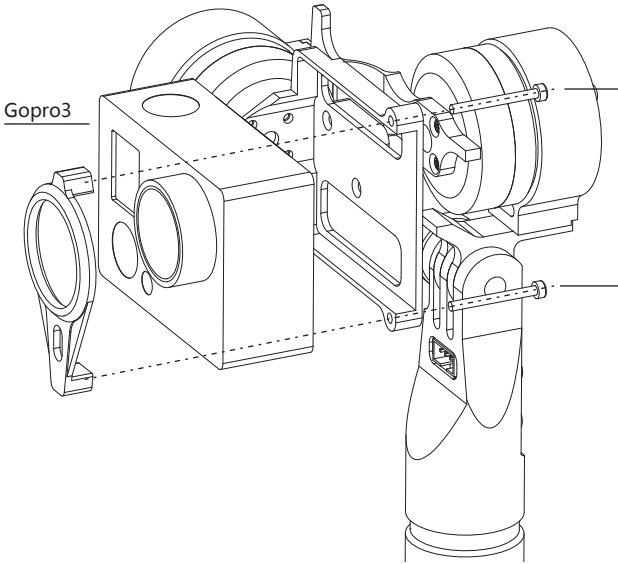


#### 注意!

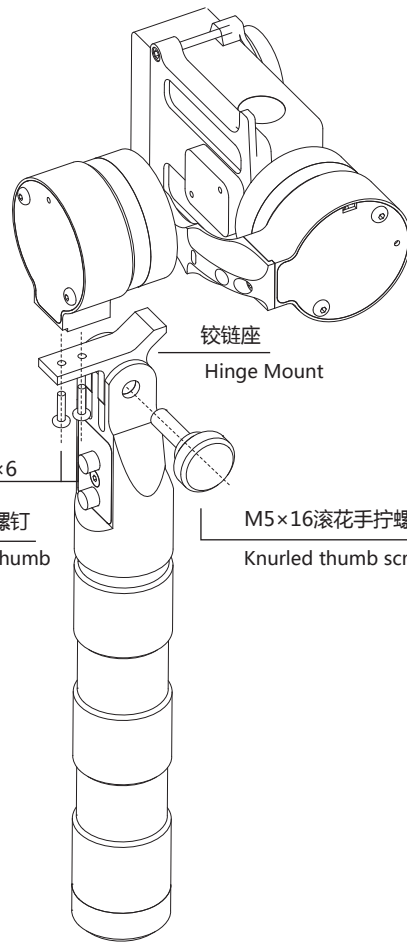
请先安装好GoPro3相机后,再通电。

#### Attention!

Please install the GoPro3 camera firstly, then supply power.



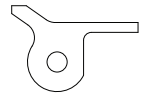
M2×22滚花手拧螺钉  
M2×22 Knurled thumb screw



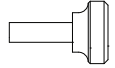
铰链座  
Hinge Mount

M2×6

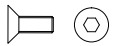
M5×16滚花手拧螺钉  
Knurled thumb screw



铰链座  
Hinge Mount



M5×16滚花手拧螺钉  
M5×16 Knurled thumb screw



M2×6沉头螺钉  
M2×6 Sunk Screw

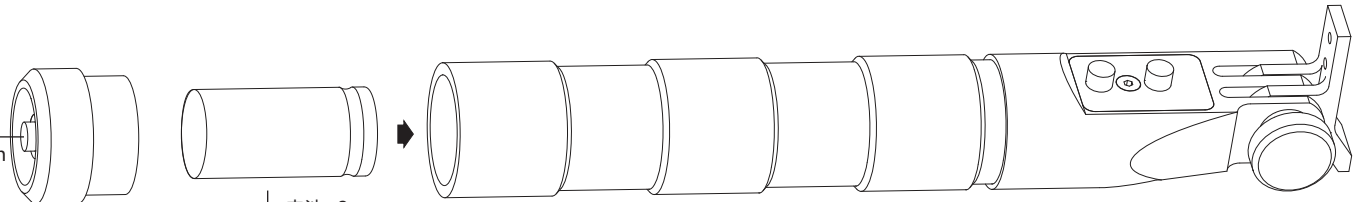


M2×22滚花手拧螺钉  
M2×22 Knurled thumb screw

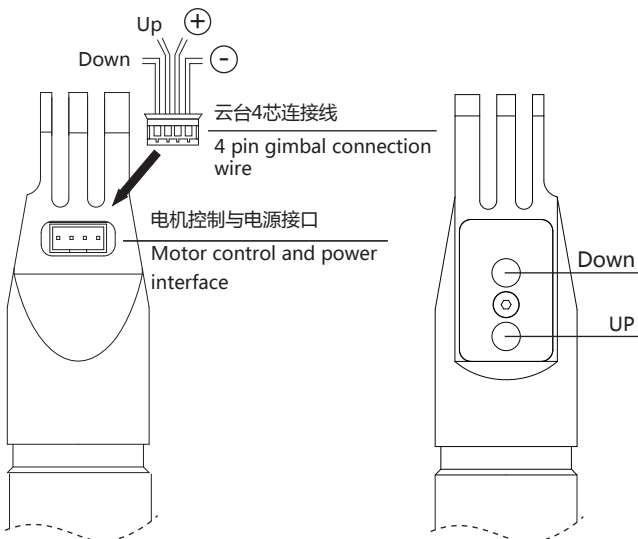
扭开电源盖,把电池放入电池仓中。  
Open power switch cap, Put batteries in holder.

电源开关  
Power Switch

电池×3  
Battery×3



### 接口和按键 Interface and buttons



Up (+)  
Down (-)

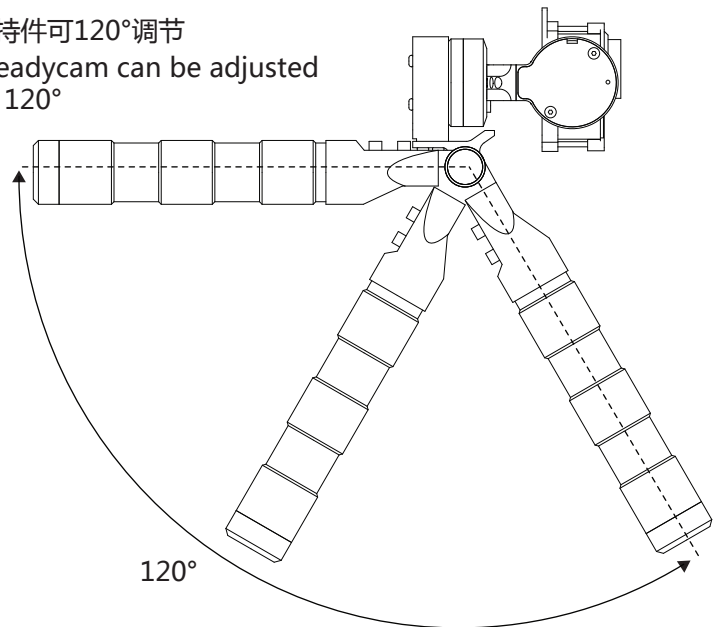
云台4芯连接线  
4 pin gimbal connection wire

电机控制与电源接口  
Motor control and power interface

Down  
UP

手持件可120°调节  
Steadycam can be adjusted to 120°

120°

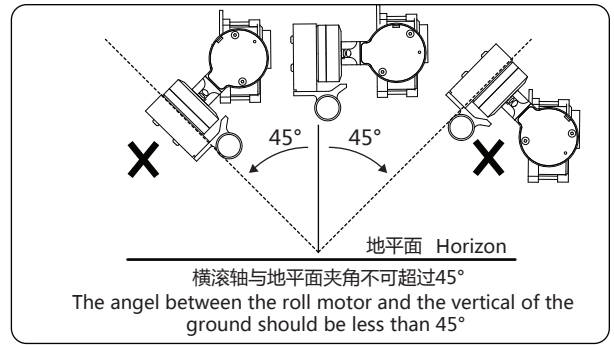
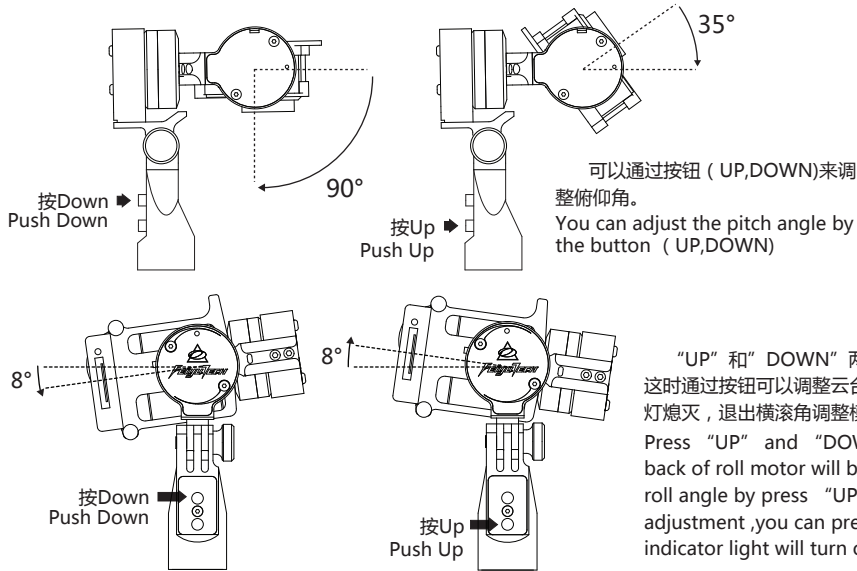




# G3 Steadycam Installation Instructions

## G3云台手持件安装说明书

Applicable to the firmware V1.25 and above version 适用于V1.25及以上版本固件

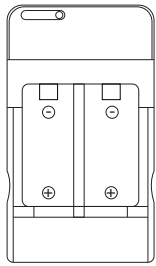


下面几种情况需要进行陀螺仪初始化: (1.)云台启动水平角度上有偏差。(2.)如果长时间不使用。(3.)或者温度变化超过20度。

初始化过程如下: 先把云台静止放置在桌面上, 然后打开电源开关, 等待云台启动。大约10 秒后云台工作, 陀螺仪初始化完成。

The gyroscope need to make initialization when in following several situation : (1.)When the gimbal activate the level angle have a deviation ; (2.)The gimbal has not been used for a long time; (3.)There is a change in environmental temperature of over 20 degrees;

Process of gyro reset : Firstly placed the gimbal on a table and keep static ,then power on the gimbal and wait for the gimbal activate. After about 10second the gimbal begin working , at this time the gyroscope initialization is complete.

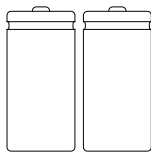


### 充电器

输入: AC 100V-240V 50/60Hz  
最大输入:150mA  
输出: DC4.2V ---- 600mAh  
为了防止火灾或受潮。  
以及减少触电的危险。  
请不要打开护盖。  
如有零部件需维修, 请咨询授权  
服务代理商。

### Charger

Input: AC 100V-240V 50/60Hz  
Max 150mA  
Output: DC 4.2V ---- 600mAh  
WARNING:  
To prevent it from fire or moisture.  
To reduce the risk of electronic shock.  
Do not remove cover (or back plate).  
If any parts need repair, consult an  
authorized service dealer.



### 可充电电池

型号: 16340  
容量: 1800mAh

### Rechargeable Battery

Type:16340  
Capacity:1800mAh

### 特性参数:

项目	最小	标准	最大	备注
工作电压	7.0V	12.0V	17.0V	2S~4S LIPO
静止姿态跟踪精度	±0.01°		±0.04°	
运动姿态跟踪精度	±0.1°	±0.02°	±0.5°	
电机过载电流保护			0.8A	
电机过载保护时间			600s	电机过载600s后自动停止工作
电机输出最大力矩 响应时间			330us	
俯仰角可转动角度	- 90°	0°	+ 35°	
横滚角度可转动角度	- 45°	0°	+ 45°	
俯仰角控制速率		10°/S		
重量		128g		手柄重量

### Tech Specification:

TECH SPEC	Min-working voltage	Standard working voltage	Max-working voltage	Remark
Working Voltage	7.0V	12.0V	17.0V	2S~4S LIPO
Static attitude tracking accuracy	±0.01°		±0.04°	
Motion attitude tracking accuracy	±0.1°	±0.2°	±0.5°	
Overload protection			0.8A	
Overload protection time			600s	After overloaded 600s, Gimbal will stop working automatically.
Max-torque response time			330us	
Controlled pitch angle accuracy	- 90°	0°	+ 45°	
Controlled Roll Angle Accuracy	- 45°	0°	+ 45°	
Pitching Angle control rate		10°/S		
Weight		128g		Handle weight

更多相关信息可访问飞宇科技官方网站:  
[www.feiyu-tech.com](http://www.feiyu-tech.com)

Please visit the official website of  
Feiyu-tech to get related information :  
[www.feiyu-tech.com](http://www.feiyu-tech.com)